

# Installation Manual

## **ENFORCER**<sup>®</sup>



**SD-7202GC-PEQ** (Stainless plate)

**SD-7202GC-PTQ** (Stainless plate with Timer)

**SD-7223GW-LQ** (Plastic white plate)

### Illuminated Push-to-Exit Square Button with Stainless or Plastic Plate

#### Features

- Large, illuminated push button with caption "PUSH TO EXIT."
- Can be easily changed in the field to "PRESIONE PARA SALIR."
- Push button rated 10A at 125–250VAC (3A@24VDC for SD-7202GC-PTQ)
- Includes five colored 12-inch wire leads with easy-to-attach spade lugs for fast installation.
- Available in stainless-steel or plastic single-gang plate.
- Replacement bulb included.
- SD-7223GW-LQ — White Plastic single-gang plate version.
- SD-7202GC-PTQ — Includes timer to extend activation time up to 180 sec.



SD-7202GC-PEQ



SD-7223GW-LQ

#### INSTALLATION

1. Run four wires through the wall to a single-gang back-box:
  - a. Two wires for 12VDC or 24VDC for the light.
  - b. One wire from either the N.O. or N.C. terminal of a device such as an alarm or access control system which can unlock an electrically-controlled lock.
  - c. One wire from the COM terminal of that device.
2. Connect four colored wires (included) to the switch (see fig. 1):
  - a. 2 x GREEN wires, one each to the brass-colored spade connectors on each side of the black switch.
  - b. GREEN/WHITE wire to the N.C. connector on the black switch (if needed).
  - c. BLUE/WHITE wire to the N.O. connector on the black switch (if needed).
  - d. WHITE wire to the COM connector on the black switch.
3. Connect the four colored wires to wires from the alarm or access control system and the light's power source (see fig. 1):
  - a. 2 x GREEN wires — To 12VDC or 24VDC source. **If 24VDC is used, connect the supplied 150-ohm, 1-Watt resistor in line with one of the two GREEN wires.**
  - b. GREEN/WHITE wire — To the N.C. terminal of the alarm or access control system (if needed).
  - c. BLUE/WHITE wire — To the N.O. terminal of the alarm or access control system (if needed).
  - d. WHITE wire — To the COM terminal of alarm or access control system.
4. Screw the plate into the back-box, taking care not to crimp the wires.

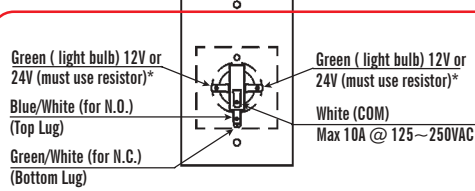
#### CHANGING THE MESSAGE PLATE FROM ENGLISH TO SPANISH (IF NEEDED)

NOTE — This should be done before connecting any wires.

1. Carefully twist the switch and bulb assembly counter-clockwise about 20°, and then pull it out of the black tube (see fig. 2).
2. Insert the blunt end of a small tool or rod — eg., screwdriver or pen, ~3/8" diameter — into the black tube. It should slide in easily all the way until it contacts the inside of the front lens/message plate assembly. Push the lens/message plate assembly with your tool until it pops off (see fig. 3). Be careful not to lose the spring.
3. Take off the transparent green lens and replace the "PUSH TO EXIT" message plate with the "PRESIONE PARA SALIR" message plate, or vice-versa. Make sure the message plate direction is correct.
4. Snap the lens assembly back on and replace the switch/bulb assembly.

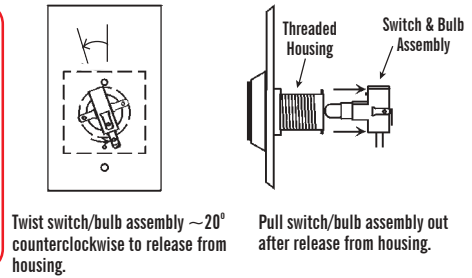
Note: Products with model numbers that end with "Q" or that have a round green "Q" sticker are RoHS compliant.

Fig. 1--Wiring



**\*IMPORTANT: Use the included 150-ohm, 1-watt resistor on either one of Green wires for 24-volt operation.**

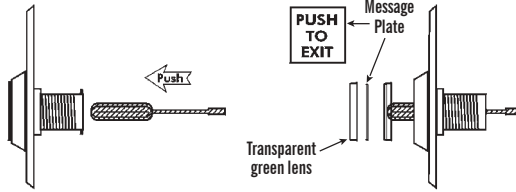
Fig. 2-- Taking out the switch



Twist switch/bulb assembly ~20° counterclockwise to release from housing.

Pull switch/bulb assembly out after release from housing.

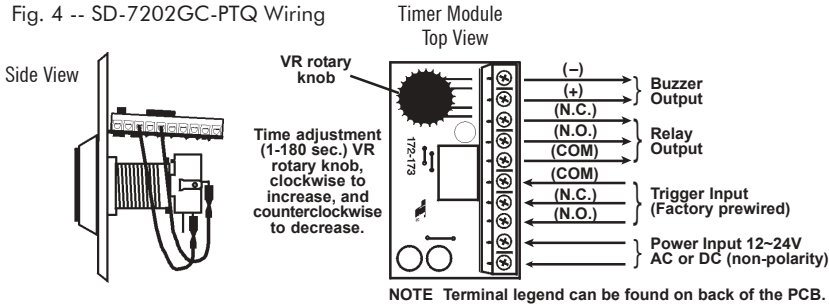
Fig. 3--Changing the message plate.



## Wiring for SD-7202GC-PTQ (with timer module)

1. Connect 1 GREEN wire to the brass-colored spade connector on each side of the black switch (see Fig. 1).
2. Connect 12~24 volts AC or DC power (non-polarity) to the power input terminal block of timer module as shown in Fig.4.
3. Connect an N.O. or N.C. device to the relay output terminal block as required.
4. Connect the positive and negative wire of the buzzer to the buzzer output terminal block if necessary.
5. Set the ideal time of the timer module between 1~180 sec. via the VR rotary knob as shown. Turn clockwise to increase and counterclockwise to decrease. Test to ensure the timer is set correctly.

Fig. 4 -- SD-7202GC-PTQ Wiring



**WARRANTY:** This SECO-LARM product is warranted against defects in material and workmanship while used in normal service for a period of one (1) year from the date of sale to the original consumer customer. SECO-LARM's obligation is limited to the repair or replacement of any defective part if the unit is returned, transportation prepaid, to SECO-LARM.

This Warranty is void if damage is caused by or attributed to acts of God, physical or electrical misuse or abuse, neglect, repair, or alteration, improper or abnormal usage, or faulty installation, or if for any other reason SECO-LARM determines that such equipment is not operating properly as a result of causes other than defects in material and workmanship.

The sole obligation of SECO-LARM, and the purchaser's exclusive remedy, shall be limited to replacement or repair only, at SECO-LARM's option. In no event shall SECO-LARM be liable for any special, collateral, incidental, or consequential personal or property damages of any kind to the purchaser or anyone else.

**NOTICE:** The information and specifications printed in this manual are current at the time of publication. However, the SECO-LARM policy is one of continual development and improvement. For this reason, SECO-LARM reserves the right to change specifications without notice. SECO-LARM is also not responsible for misprints or typographical errors.

Copyright © 2010 SECO-LARM U.S.A., Inc. All rights reserved. This material may not be reproduced or copied, in whole or in part, without the written permission of SECO-LARM.

**SECO-LARM® U.S.A., Inc.**

16842 Millikan Avenue, Irvine, CA 92606

Tel: 800-662-0800 / 949-261-2999 Fax: 949-261-7326

Website: [www.seco-larm.com](http://www.seco-larm.com)

E-mail: [sales@seco-larm.com](mailto:sales@seco-larm.com)

FILE: DT/DT/MSD7202GC-PTQ\_1012.pmd

ORDER PART # 763-154-4%

PITSW1